

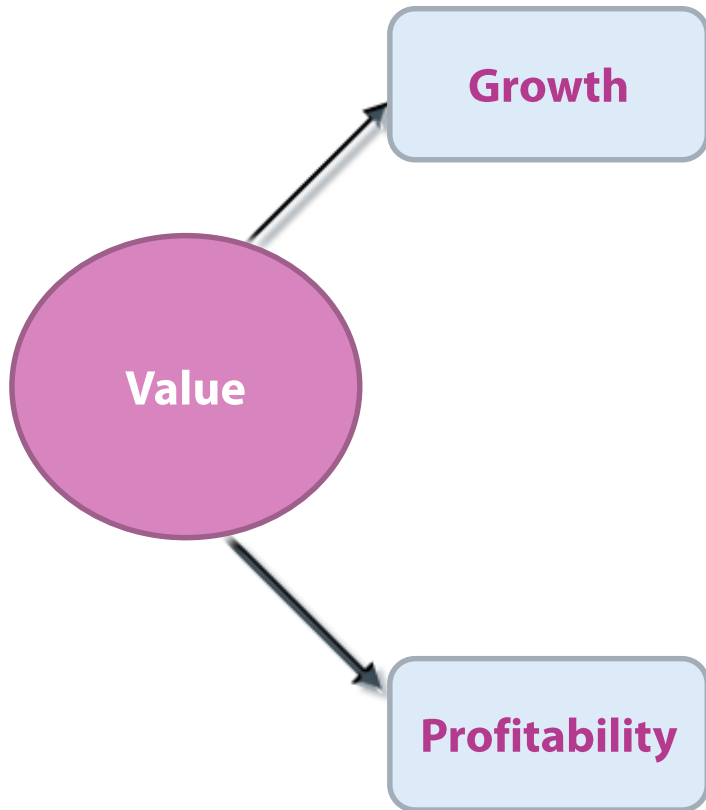


Visualisation and illustration

2014-05-06

Maria Nilsson

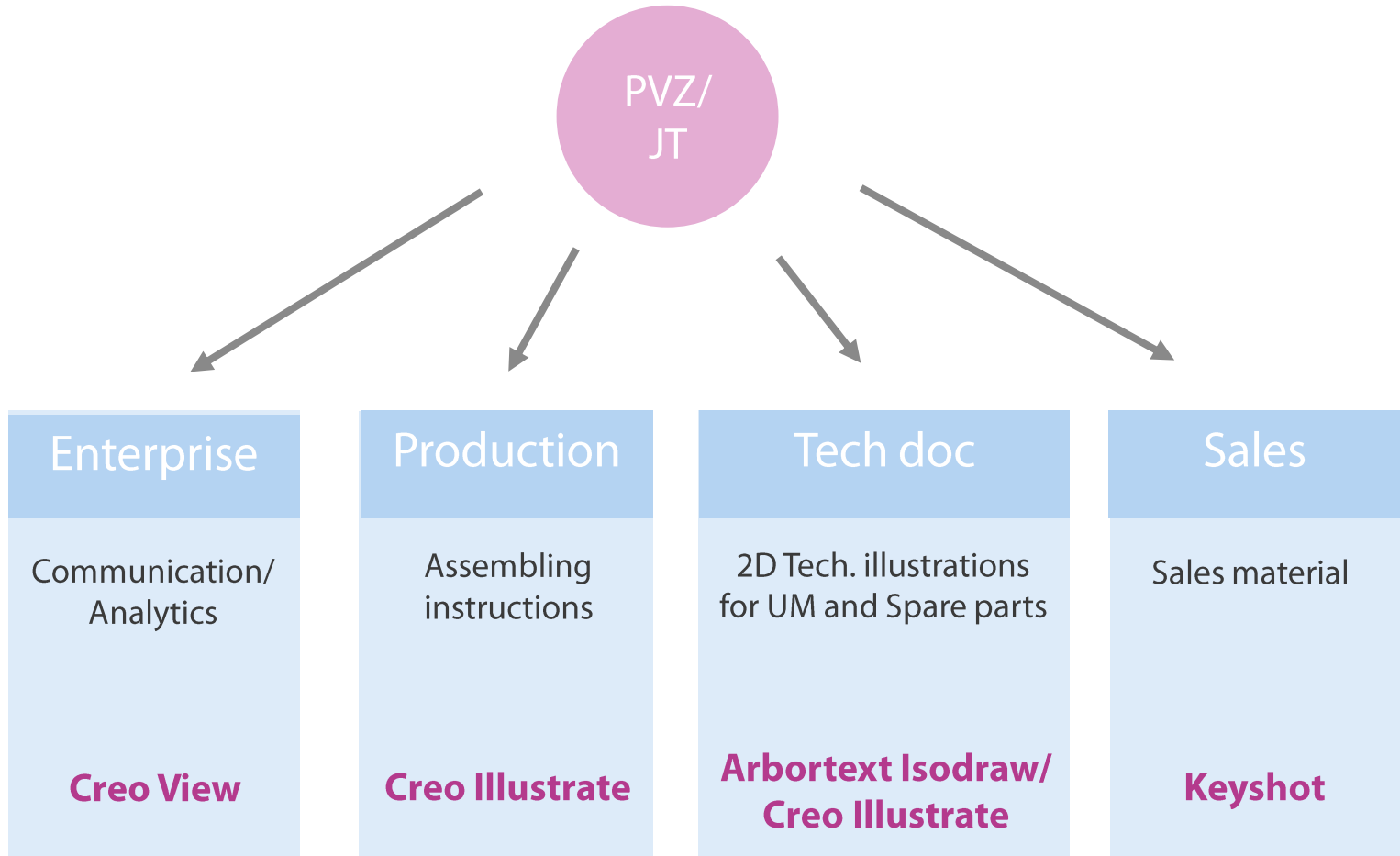
Challenge



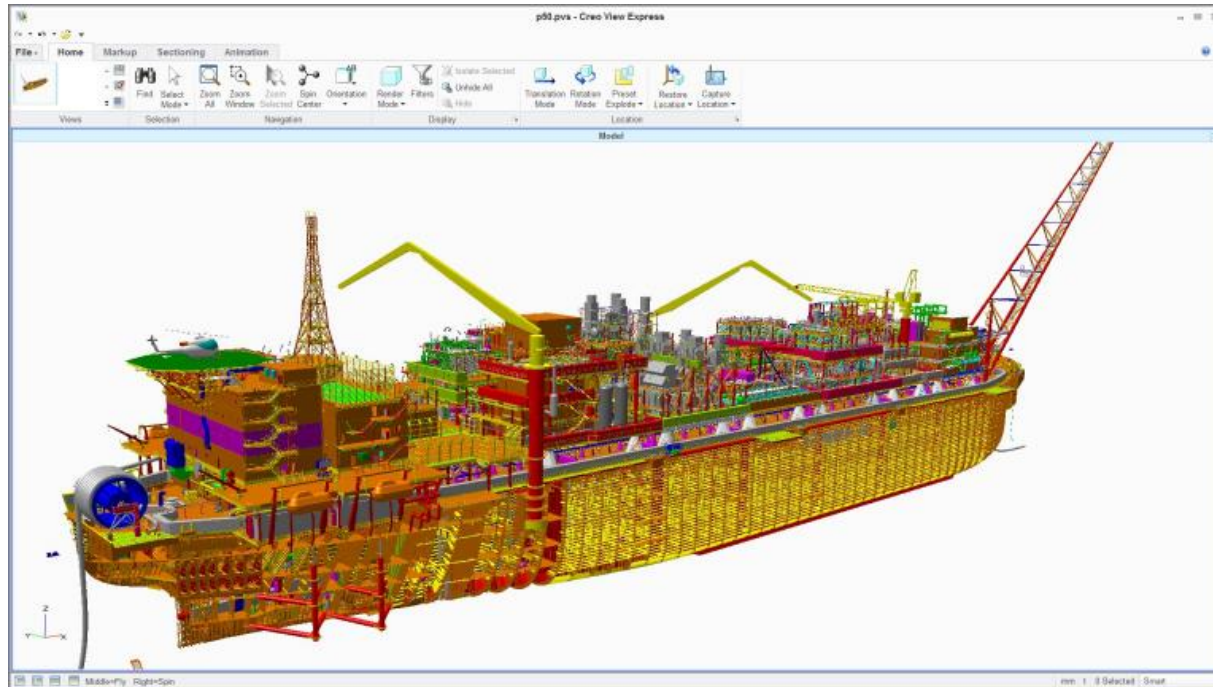
- Link all kinds of visual material with CAD
- Only one full author – all material through this person
- Improve customer facing material

- Shorten Illustration production and update times
- Lower translation cost
- Less spent engineering time to update others

One Lightweight format – many outputs



Creo View- one common viewer



Features

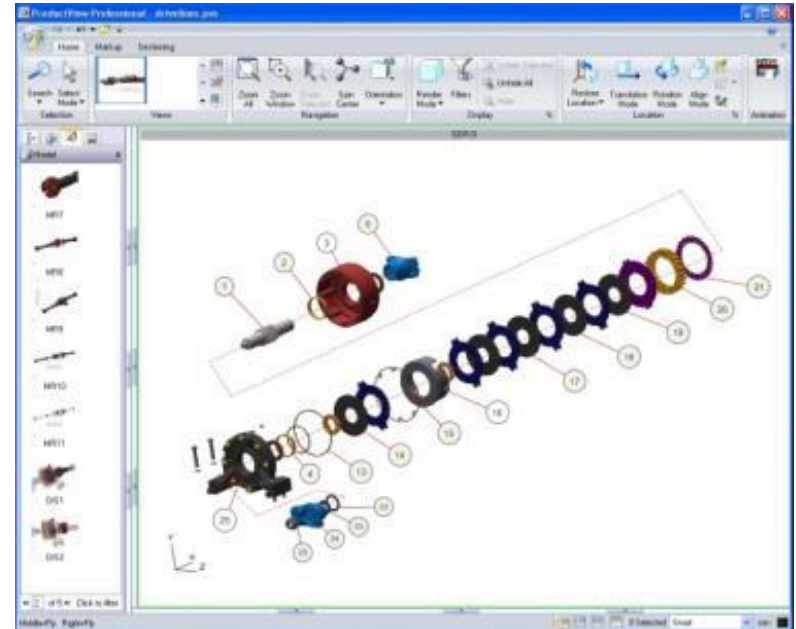
- Speed of loading
- Data compression
- Memory efficiency
- Interaction performance
- Loads really large and complex 3D models

Purpose

- Communicate CAD to non-CAD users
- View animated step by step mounting instructions
- View Isodraw/creo illustrate illustrations

Technical illustrations- Trends and Challenges

- **Data exists in CAD** - How do we reuse?
- **CAD is missing information** – That is important in technical illustrations (ECAD, cables, threads..)
- **Complex products**– Hard to describe in words.
- **Translation is expensive**- A picture says a thousand words.
- **Customers**- Are expecting quick starts instead of heavy manuals.
- **Service personnel**- Needs more complex information
- **Laptop, IPAD**- New technology enables new deliverable formats.



What is a technical illustration?

Technical illustrations

Graphical product information about

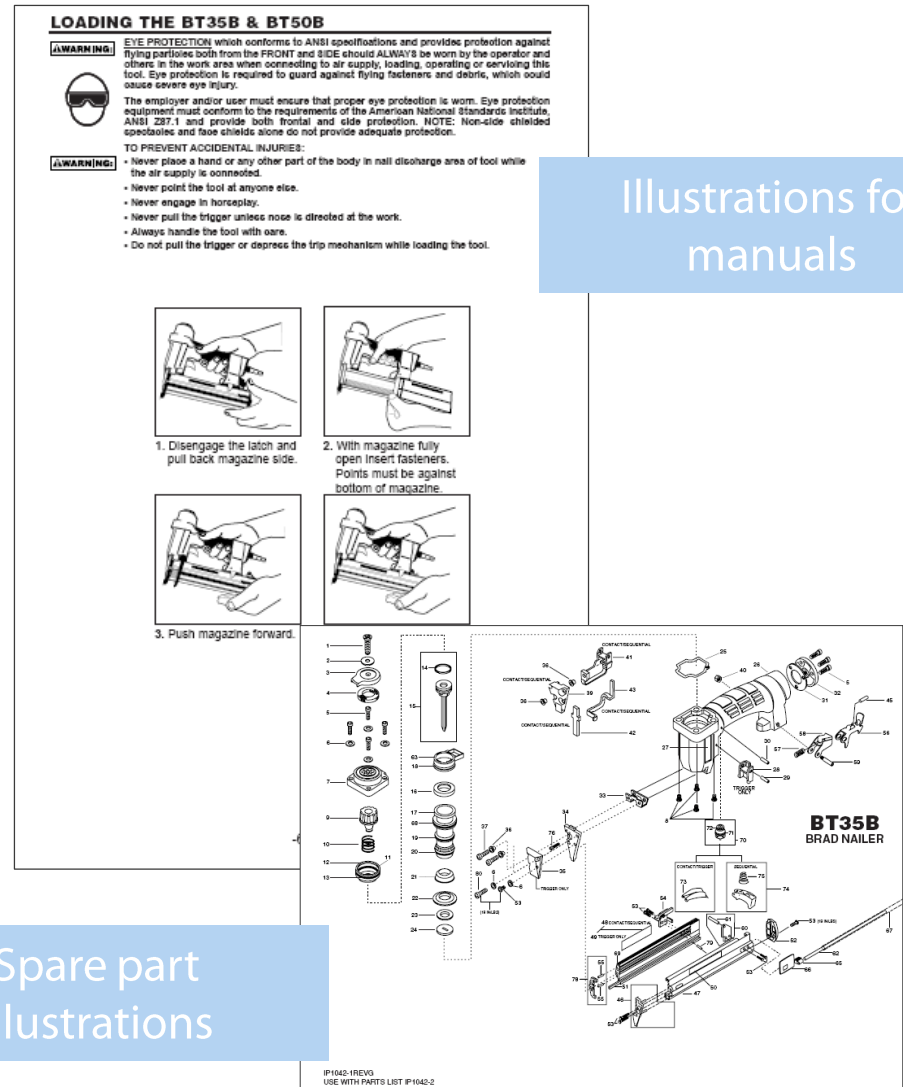
- Assembling
- Use
- Serve
- Parts information

Make it simple

- Only useful details

Graphical details

- Perspective
- Thin/thick lines
- No hidden lines
- Arrows
- Enlargements
- Symbols
- Colours



Spare part illustrations

Two solutions for Technical illustration/Animation

Both

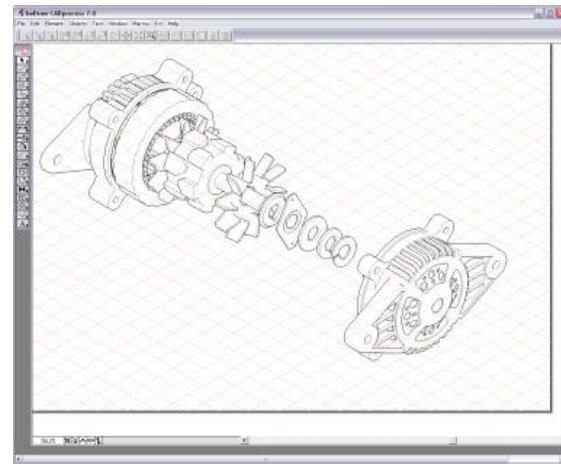
- Connect to CAD and get changes to the illustration automatically updated
- Connect to PLM
- Structure handling
- Intelligent objects and structures

Arbortext IsoDraw

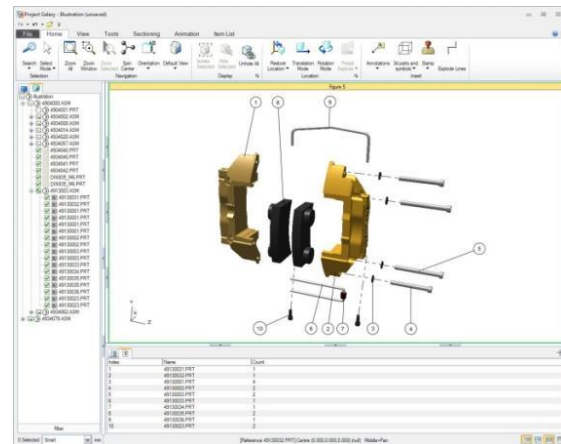
- Isometric view- perspective view
- 2D Output
- Thick/thin lines
- Large 2D library
- Draw in 2D

Creo Illustrate

- Based on viewer with lightweight formats
- Animations
- Rendering features
- CAD must be complete, no 2D drawing capability
- Easy to use
- Advanced BOM management



IsoDraw



Creo Illustrate

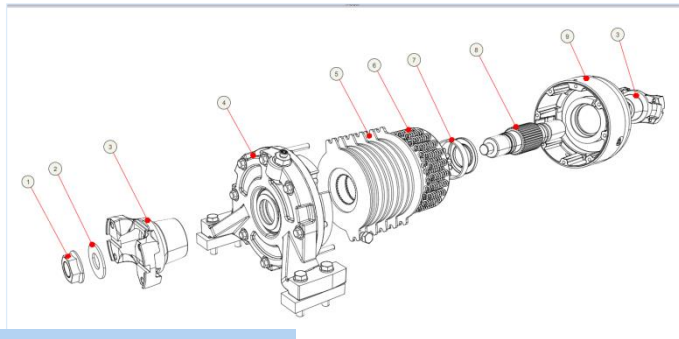
What software should I go for?

User

- Illustrator/Technical writer
- Market communicator

Output

- Printed 2D illustrations
- Smart illustrations on web



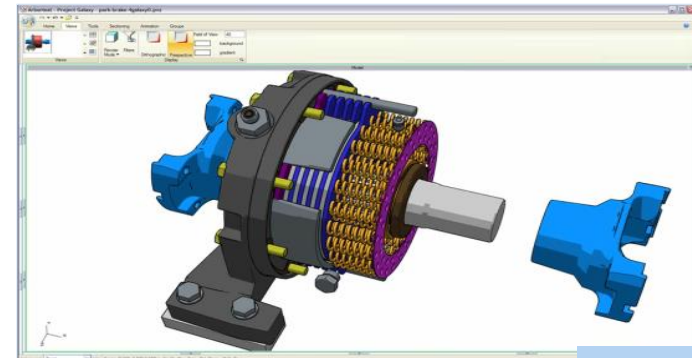
Arbortext IsoDraw

User

- Production
- Engineer

Output

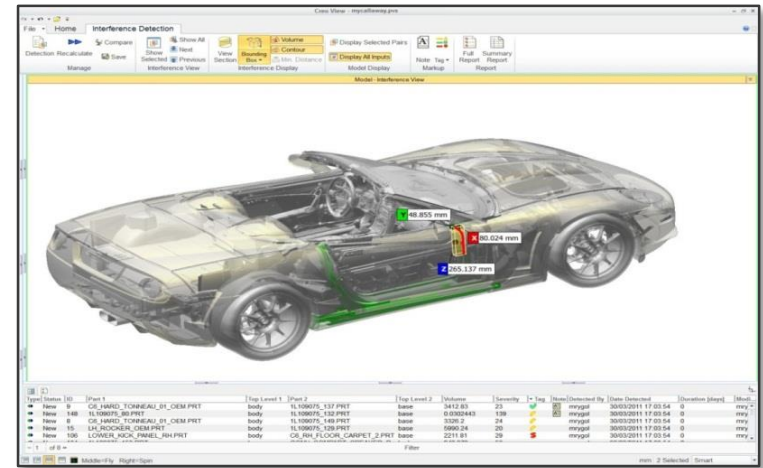
- Assembling instructions
- Animations



Creo Illustrate

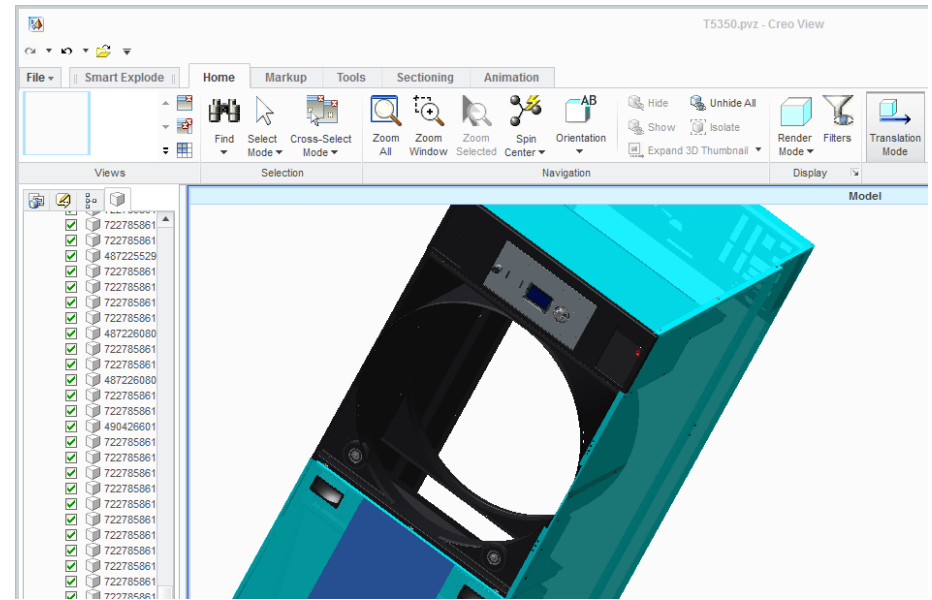
Creo View Plattform (Included in Windchill)

- Comprehensive view, interrogation, markup and annotation tools
- Supports a wide range of formats: >180 file types
- Fast performance enables viewing of massive assemblies
- Explodes, cuts
- Layers
- Support for Creo and Windchill Attributes



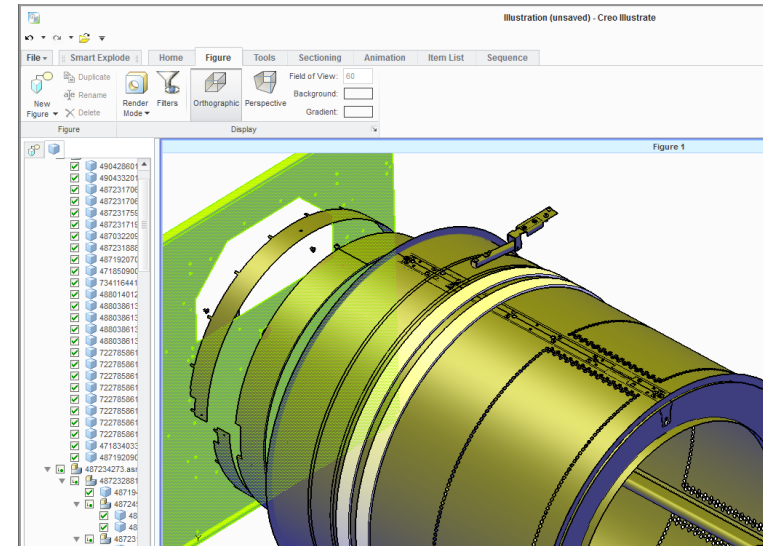
Creo View MCAD added functionality

- Smart Explode
- Advanced Cuts
- Export and import geometry (IGES, STEP)
- Construction geometry for better measuring (Planes, Centerlines)
- Interference (add on)
- Edit color display
- Color coding and structure



Creo Illustrate - added functionality

- Associative with Windchill and Creo changes
 - Illustration source object
- EBOM – SBOM concept
- Explode lines, call outs, library and other technical illustration items
- Create multiple images from one file
- Added view formats
- Animations
 - Animations including operations (screw, unscrew)
 - Animated step by step instructions
- Vector based output - SVG



Keyshot for Sales material

Fast

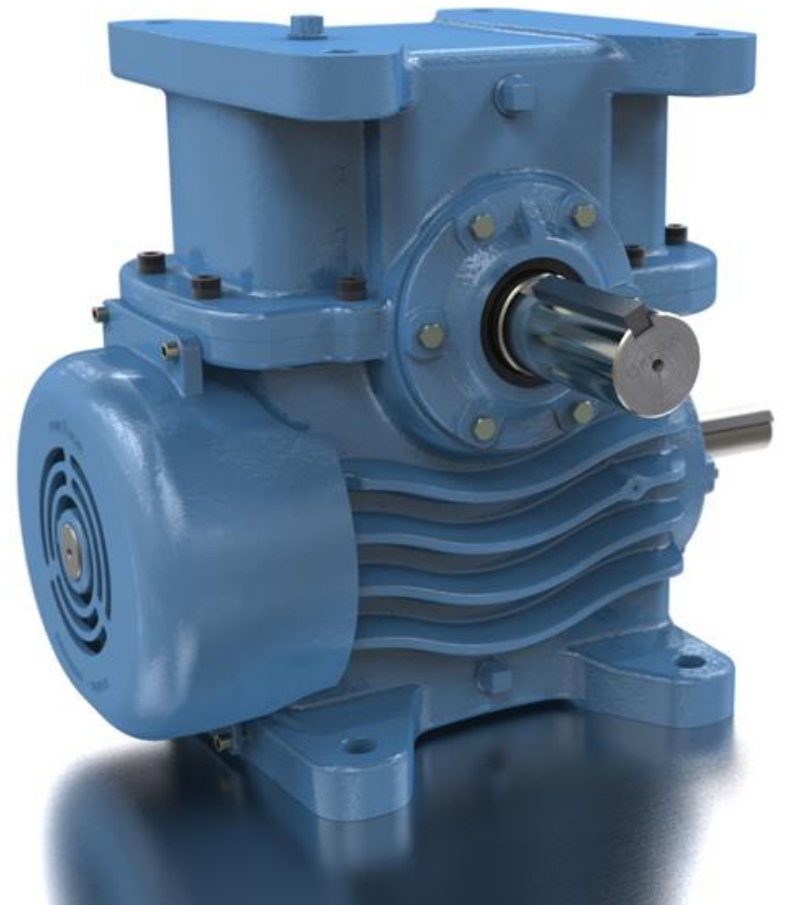
- No need for a special graphics card, nor any dedicated drivers

Easy

- No specialized expertise is needed
- Perfect tool for creating sales material
- Imports most common CAD formats
- Create a perfect photo of the product before it is manufactured

Amazing

- Uses authentic materials
- Combines photographs with rendered images
- KeyShot features the only rendering engine that is certified by the CIE (International Commission on Illumination)



[Keyshot Demo Video](#)